



**76189-0000**

**76189-0220**

## **ELECTRIC TUBE ROLLER**



### **OPERATING INSTRUCTIONS & SERVICE MANUAL**

Rev: A, 8/20/2007

**TO REDUCE THE RISK OF INJURY AND EQUIPMENT DAMAGE  
USER MUST READ AND UNDERSTAND OPERATOR'S MANUAL.**

#### **Thomas C. Wilson, Inc.**

21-11 44th Avenue, Long Island City, New York 11101  
Tel: (718)729-3360 Fax: (718)361-2872 <http://www.tcwilson.com>  
E-mail: [tcwilson@tcwilson.com](mailto:tcwilson@tcwilson.com)

# SAFETY INSTRUCTIONS



## WARNING!

### **READ AND UNDERSTAND ALL INSTRUCTIONS**

Failure to follow all instructions listed below, may result in accident, fire and/or personal injury.

### **SAVE THESE INSTRUCTIONS**

1. **KNOW YOUR POWER TOOL.** Read this service manual carefully.
2. **GROUNDING INSTRUCTIONS.** This product is equipped with a cord having an equipment-grounding conductor and a grounding plug. The plug must be plugged into an appropriate outlet that is properly installed and grounded in accordance with all local codes and ordinances.
3. **KEEP GUARDS IN PLACE** and in working order.
4. **KEEP WORK AREA CLEAN.** Cluttered areas and benches invite accidents.
5. **AVOID DANGEROUS ENVIRONMENT.** Keep work areas well lit.
6. **STORE IDLE TOOLS.** When not in use, tools should be stored in dry, high or locked-up place – out of reach of children.
7. **DON'T FORCE TOOLS.** It will do the job better and safer at the rate for which it was designed.
8. **USE RIGHT TOOLS.** Don't force small tool or attachment to do the job of a heavy-duty tool.
9. **WEAR PROPEL APPAREL.** No loose clothing or jewelry to get caught in moving parts. Rubber gloves and footwear are recommended when working outdoors.
10. **USE SAFETY GLASSES** with most tools. Also face or dust mask if cutting operation is dusty.
11. **DON'T ABUSE CORD.** Never carry tool by cord or yank it to disconnect from receptacle. Keep cord from heat, oil and sharp edges.
12. **SECURE WORK.** Use clamps or a vise to hold work. It's safer than using your hands to operate tool.
13. **DON'T OVERREACH.** Keep proper footing and balance at all times.
14. **MAINTAIN TOOL WITH CARE.** Keep tools sharp and clean for best and safest performance. Follow instructions for lubricating and changing accessories.
15. **DISCONNECT TOOLS:** When not in use; before servicing; when changing accessories such as blades, bits, cutters, etc.
16. **REMOVE ADJUSTING KEYS AND WRENCHES.** Form habit of checking that keys and adjusting wrenches are removed from tool before turning it on.
17. **AVOID ACCIDENTAL STARTING.** Don't carry plugged-in tool with finger or switch.
18. Remove the plug from the socket before carrying out any adjustment, servicing or maintenance.
19. Do not use unit with combustible fluids or where combustible fluids or fumes may be present.

## TECHNICAL DATA

Type of Current: ~ A.C. single phase

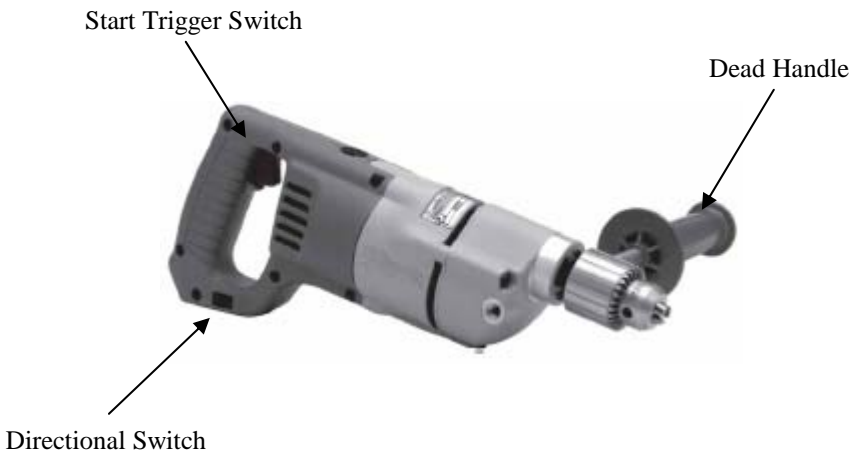
3- Prong plug. Approved by the applicable standards of Underwriters Laboratories, Inc.

## OPERATION

Main voltage must correspond to the operating voltage marked on the rating plate. The tool can be plugged into plain or safety sockets.

Switch must be in the "OFF" position when connecting.

The change-over switch for right- and left-hand rotation, which is built in the handle switch, must not be operated, when the machine is running.



# MAINTENANCE

## **Before carrying out any maintenance work always remember to pull out the plug.**

Keep your tool in good repair by adopting a regular maintenance program. Before use, examine the general condition of your tool. Inspect guards, switches, tool cord set and extension cord for damage. Check for loose screws, misalignment, binding of moving parts, improper mounting, broken parts and any other condition that may affect its safe operation. If abnormal noise or vibration occurs, turn the tool off immediately and have the problem corrected before further use. Do not use a damaged tool. Tag damaged tools "Do Not Use" until repaired.

Under normal conditions, re-lubrication is not necessary until the motor brushes need to be replaced. After six months to one year, depending on use, the following should be completed:

- Lubrication
- Brush inspection and replacement
- Mechanical inspection and cleaning (gears, spindles, bearings, housing, etc)
- Electrical inspection (switch, cord, armature, etc)
- Testing to assure proper mechanical and electrical operation

## **CLEANING:**

Clean dust and debris from vents. Keep the tool handles clean, dry and free of oil or grease. Use only mild soap and a damp cloth to clean your tool since certain cleaning agents and solvents are harmful to plastics and other insulated parts. Some of these include: gasoline, turpentine, lacquer thinner, paint thinner, chlorinated cleaning solvents, ammonia and household detergents containing ammonia. Never use flammable or combustible solvents around tools.

## PARTS LIST - 76189-0000 MODEL

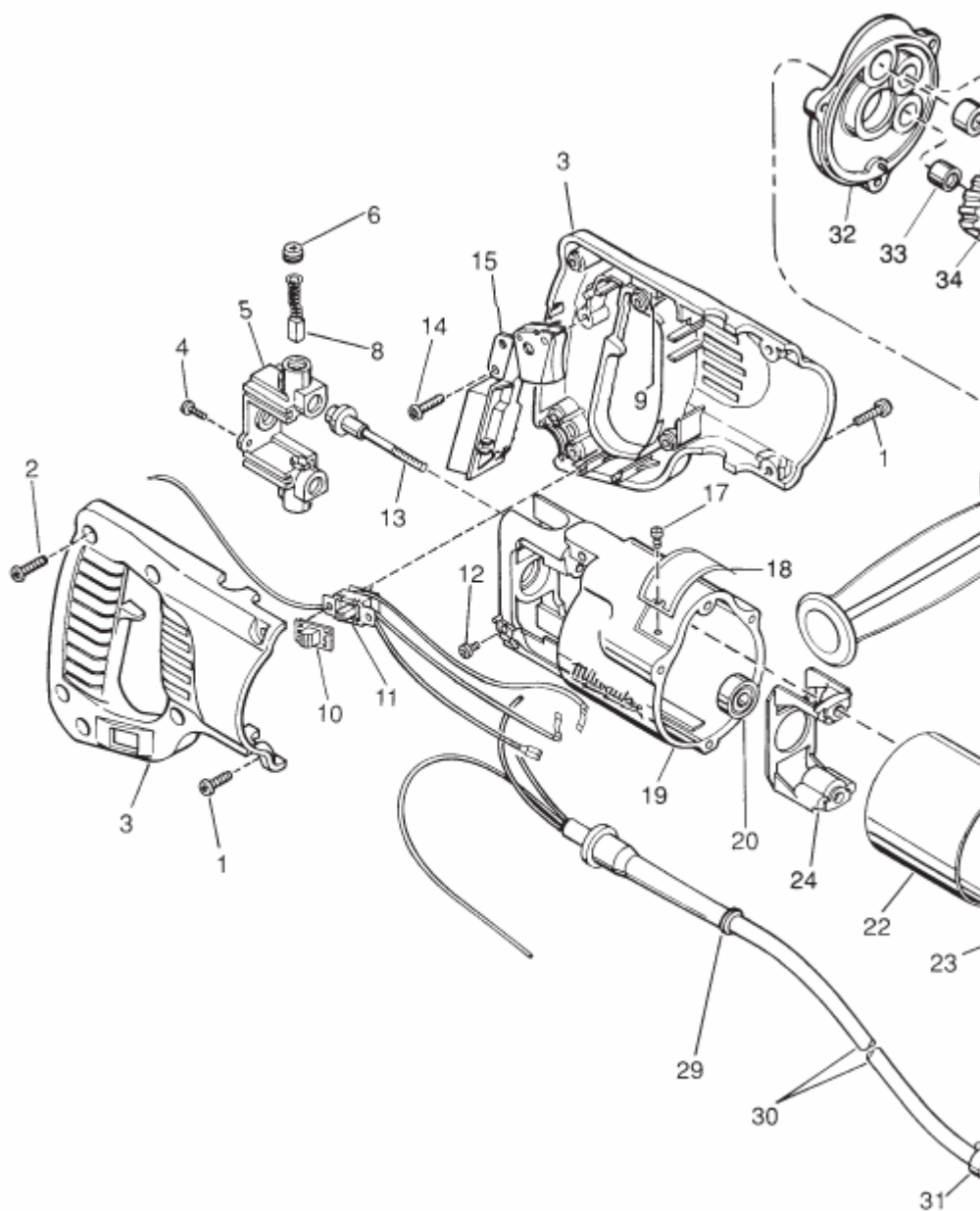
NO.	PART NO.	DESCRIPTION	QTY.	NO.	PART NO.	DESCRIPTION	QTY.
1	76189-0101	8-32 x 1/2" T-20 Screw	4	39	76189-0139	Spindle Gear	1
2	76189-0102	8-16 x 5/8" T-20 Screw	5	40	76189-0140	Retaining Ring	1
3	76189-0103	Right and Left Handle Halves	1	41	76189-0141	2nd Intermediate Gear	1
4	76189-0104	6-32 x 3/8" T-10 Screw	2	42	76189-0142	2nd Intermediate Shaft	1
5	76189-0111	Brush Holder Assembly	1	43	76189-0143	Ball Bearing	1
6	76189-0106	Brush Retaining Cap	2	44	76189-0144	Gear Case	1
7	76189-0107	Brush Spring	2	45	76189-0145	Ball Bearing	1
8	76189-0125	Carbon Brush Assembly	2	46	76189-0146	Retaining Ring	1
9	76189-0109	Foam Pad Kit (10 Slugs)	1	47	76189-0147	8-32 x 2-1/2" T-20 Screw	2
10	76189-0110	Switch Cap	1	48	76189-0148	Woodruff Key	1
11	76189-0105	Reversing Switch Assembly	1	49	76189-0149	Spindle	1
12	76189-0112	6-32 x 1/4" Screw	1	50	76189-0150	8-32 x 1-5/8" T-20 Screw	1
13	76189-0113	8-32 x 2-1/4" Bolt	2	51	76189-0151	1/2" Chuck	1
14	76189-0114	8-16 x 5/8" T-20 Screw	1	52	76189-0152	Chuck Key	1
15	76189-0105	On-Off Switch	1	53	76189-0153	1/4-20 x 1" L.H. Screw	1
17	76189-0117	Nameplate Rivet	2	54	76189-0154	Side Handle	1
18	76189-0118	Service Nameplate	1	55	76189-0155	Side Handle Extension	1
19	76189-0119	Motor Housing	1				
20	76189-0120	Ball Bearing	1				
21	76189-0121	8-32 Nut	1				
22	76189-0122	Field Insulator	1				
23	76189-0123	120 V. Field	1				
24	76189-0124	Coil Shield	1				
25	76189-0108	Baffle	1				
26	76189-0126	120 V. Armature	1				
27	76189-0127	Fan Assembly	1				
28	76189-0128	Ball Bearing	1				
29	76189-0129	Cord Protector	1				
30	76189-0130	Cord Set	1				
31	76189-0131	Key Holder	1				
32	76189-0132	Diaphragm	1				
33	76189-0133	Needle Bearing	2				
34	76189-0134	Intermediate Gear	1				
35	76189-0135	Woodruff Key	2				
36	76189-0136	Intermediate Shaft	1				
37	76189-0137	Ball Bearing	1				
38	76189-0138	Needle Bearing	1				

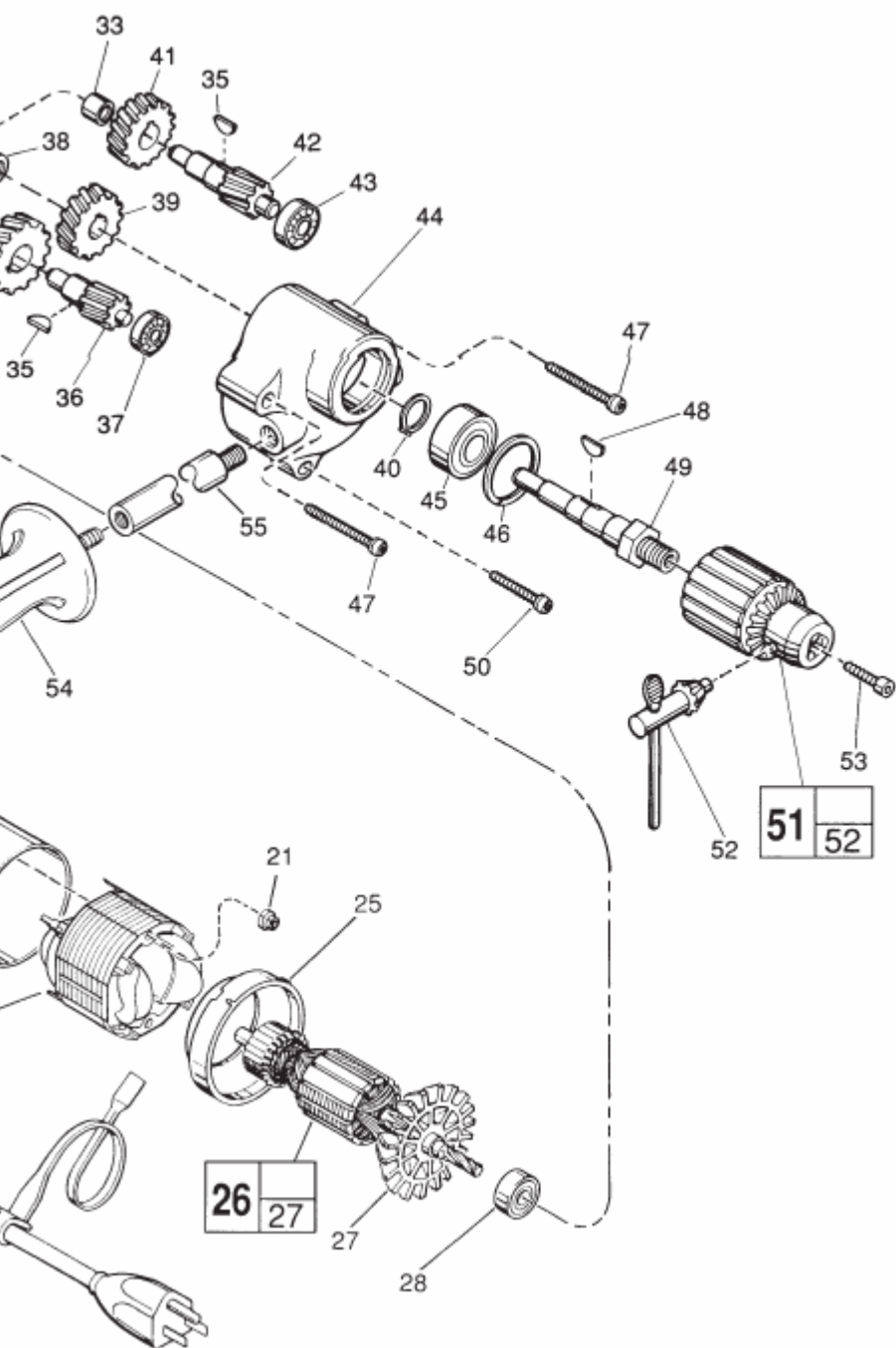
### Lubrication:

#44: 3-3/4 Oz. Type "A" Grease

### Notes:

#54: Apply Red Loctite To Threads Of Side Handle

**PARTS LIST - 76189-0000 MODEL**



**WIRING SCHEMATIC - 76189-0000 MODEL**

WIRE NO.	WIRE COLOR	ORIGIN	GAUGE	LENGTH
1	WHITE	CORD	18	3-3/4"
2	BLACK	CORD	18	3-3/4"
3	GREEN	CORD	18	5-1/2"
4	BLACK	REV. SWITCH	18	5-1/4"
5	WHITE	FIELD	18	8"
7	YELLOW	FIELD	18	5-5/16"
8	BLACK	REV. SWITCH	18	5-1/4"
9	BLACK	REV. SWITCH	18	7-1/4"
10	BROWN	REV. SWITCH	18	5-1/4"

**WIRING SCHEMATIC - 76189-0220 MODEL**

WIRE NO.	WIRE COLOR	ORIGIN	GAUGE	LENGTH
1	BLACK	SUPPRESSOR	20	6.2"
2	BLACK	SUPPRESSOR	20	3.2"
4	WHITE	SUPPRESSOR	18	9.5"
5	BROWN	BLADE HOUSING		
6	BLUE	BLADE HOUSING		
9	BLACK	REMOTE	18	4.5"
10	BLACK	REMOTE	18	10.5"
11	BLACK	REMOTE	18	9.5"
12	BLACK	REV. SWITCH	18	
13	BLACK	REV. SWITCH	18	11.25"
14	BLACK	REV. SWITCH	18	
15	BLACK	REV. SWITCH	18	4.5"



## PARTS LIST - 76189-0220 MODEL

NO.	PART NO.	DESCRIPTION	QTY.	NO.	PART NO.	DESCRIPTION	QTY.
1	76189-0201	8-32 x 1-1/4" T-20 Screw	2	40	76189-0139	Spindle Gear	1
2	76189-0102	8-16 x 5/8" T-20 Screw	5	41	76189-0140	Retaining Ring	1
3	76189-0203	Right Handle Half	1	42	76189-0141	2nd Intermediate Gear	1
4	76189-0204	6-19 x 1/2" T-15 Screw	2	43	76189-0142	2nd Intermediate Shaft	1
5	76189-0111	Brush Holder Assembly	1	44	76189-0143	Ball Bearing	1
6	76189-0106	Brush Retaining Cap	2	45	76189-0144	Gear Case	1
8	76189-0225	Carbon Brush Assembly	2	46	76189-0246	Side Handle	1
9	76189-0109	Foam Slug Kit-10 Slugs	2	47	76189-0145	Ball Bearing	1
10	76189-0205	Reversing Switch And Cap	1	48	76189-0146	Retaining Ring	1
11	76189-0211	Remote Electronic Assembly	1	49	76189-0249	K50 x 63mm PT Screw	2
12	76189-0212	Suppressor Assembly	1	50	76189-0250	K50 x 41mm PT Screw	1
13	76189-0213	8-16 x 1-7/8" T-20 Screw	2	51	76189-0148	Woodruff Key	1
14	76189-0114	8-16 x 5/8" T-20 Screw	1	52	76189-0149	Spindle	1
15	76189-0205	Switch	1	53	76189-0151	1/2" Chuck	1
16	76189-0216	Left Handle Half	1	54	76189-0153	1/4-20 x 1" L.H. Screw	1
17	76189-0217	Nameplate Screw	2	56	76189-0256	Dust Shield	1
18	76189-0218	Service Nameplate	1	57	76189-0257	Side Handle Extension	1
19	76189-0219	Motor Housing	1				
20	76189-0120	Ball Bearing	1				
21	76189-0221	8-32 Hex Nut	2				
23	76189-0223	Field	1				
24	76189-0224	Heat Sink Holder	1				
25	76189-0108	Baffle	1				
26	76189-0226	Armature	1				
27	76189-0227	Fan Assembly	1				
28	76189-0128	Ball Bearing	1				
29	76189-0229	Blade Housing Assembly	1				
30	76189-0230	Quik-Lok Cord Set	1				
31	76189-0231	Chuck Key	1				
32	76189-0131	Key Holder	1				
33	76189-0132	Diaphragm	1				
34	76189-0133	Needle Bearing	2				
35	76189-0134	Intermediate Gear	1				
36	76189-0135	Woodruff Key	2				
37	76189-0136	Intermediate Shaft	1				
38	76189-0137	Ball Bearing	1				
39	76189-0138	Needle Bearing	1				

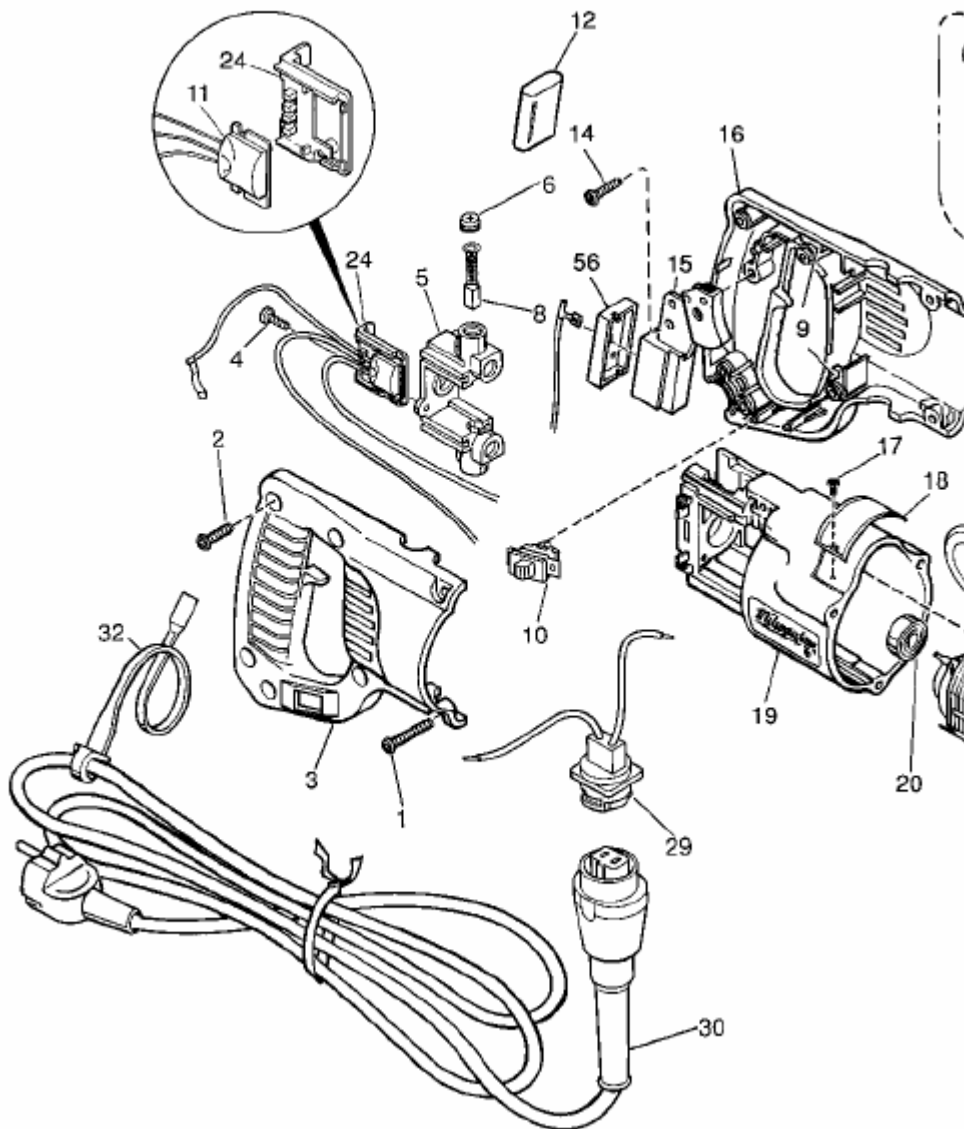
### Lubrication:

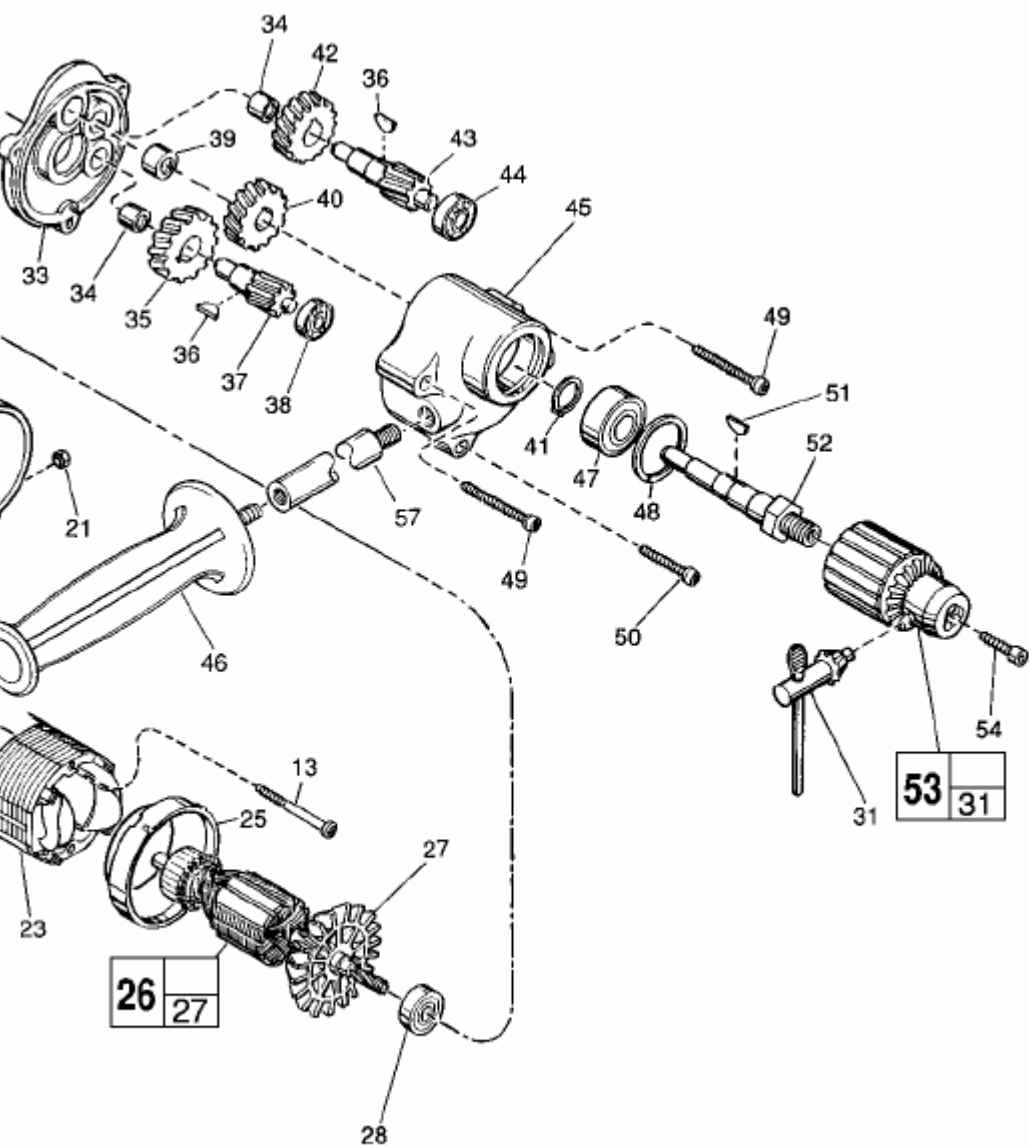
#45: 3-3/4 Oz. Type "A" Grease

### Notes:

#46: Apply Red Loctite To Threads Of Side Handle.

## PARTS LIST - 76189-0220 MODEL





## SPECIFICATIONS

<b>ROLLER MODEL</b>	<b>76189-0000</b>	<b>76189-0220</b>
<b>TUBE OD SIZE</b>	1/2" - 1" (12.7mm - 38.1mm)	1/2" - 1" (12.7mm - 38.1mm)
<b>VOLTAGE</b>	110	220
<b>FREQUENCY</b>	60	50
<b>AMPERAGE</b>	7	7
<b>FREE LOAD RPM</b>	500	500
<b>DRIVE SPINDLE</b>	1/2" Round	1/2" Round
<b>WEIGHT</b>	6.8 LBS (3.1kgs)	6.8 LBS (3.1kgs)
<b>LENGTH (OAL)</b>	14.75" (375mm)	14.75" (375mm)

## ACCESSORIES

<b>3/8" QUICK CONNECTOR</b>	41337-0000
<b>1/2" QUICK CONNECTOR</b>	41723-0000
<b>ON/OFF, FORWARD/REVERSE SWITCH</b>	76189-0105
<b>SET OF MOTOR BRUSHES (must order 2 sets)</b>	76189-0125

### **Thomas C. Wilson, Inc.**

21-11 44th Avenue, Long Island City, New York 11101  
 Tel: (718)729-3360 Fax: (718)361-2872 <http://www.tcwilson.com>  
 E-mail: [tcwilson@tcwilson.com](mailto:tcwilson@tcwilson.com)