



41238-0000

## ELECTRIC TUBE ROLLER



### OPERATING INSTRUCTIONS & SERVICE MANUAL

Rev: A, 8/20/2007

TO REDUCE THE RISK OF INJURY AND EQUIPMENT DAMAGE  
USER MUST READ AND UNDERSTAND OPERATOR'S MANUAL.

#### **Thomas C. Wilson, Inc.**

21-11 44th Avenue, Long Island City, New York 11101  
Tel: (718)729-3360 Fax: (718)361-2872 <http://www.tcwilson.com>  
E-mail: [tcwilson@tcwilson.com](mailto:tcwilson@tcwilson.com)

# SAFETY INSTRUCTIONS



## WARNING!

### **READ AND UNDERSTAND ALL INSTRUCTIONS**

Failure to follow all instructions listed below, may result in accident, fire and/or personal injury.

### **SAVE THESE INSTRUCTIONS**

1. **KNOW YOUR POWER TOOL.** Read this service manual carefully.
2. **GROUNDING INSTRUCTIONS.** This product is equipped with a cord having an equipment-grounding conductor and a grounding plug. The plug must be plugged into an appropriate outlet that is properly installed and grounded in accordance with all local codes and ordinances.
3. **KEEP GUARDS IN PLACE** and in working order.
4. **KEEP WORK AREA CLEAN.** Cluttered areas and benches invite accidents.
5. **AVOID DANGEROUS ENVIRONMENT.** Keep work areas well lit.
6. **STORE IDLE TOOLS.** When not in use, tools should be stored in dry, high or locked-up place – out of reach of children.
7. **DON'T FORCE TOOLS.** It will do the job better and safer at the rate for which it was designed.
8. **USE RIGHT TOOLS.** Don't force small tool or attachment to do the job of a heavy-duty tool.
9. **WEAR PROPEL APPAREL.** No loose clothing or jewelry to get caught in moving parts. Rubber gloves and footwear are recommended when working outdoors.
10. **USE SAFETY GLASSES** with most tools. Also face or dust mask if cutting operation is dusty.
11. **DON'T ABUSE CORD.** Never carry tool by cord or yank it to disconnect from receptacle. Keep cord from heat, oil and sharp edges.
12. **SECURE WORK.** Use clamps or a vise to hold work. It's safer than using your hands to operate tool.
13. **DON'T OVERREACH.** Keep proper footing and balance at all times.
14. **MAINTAIN TOOL WITH CARE.** Keep tools sharp and clean for best and safest performance. Follow instructions for lubricating and changing accessories.
15. **DISCONNECT TOOLS:** When not in use; before servicing; when changing accessories such as blades, bits, cutters, etc.
16. **REMOVE ADJUSTING KEYS AND WRENCHES.** Form habit of checking that keys and adjusting wrenches are removed from tool before turning it on.
17. **AVOID ACCIDENTAL STARTING.** Don't carry plugged-in tool with finger or switch.
18. Remove the plug from the socket before carrying out any adjustment, servicing or maintenance.
19. Do not use unit with combustible fluids or where combustible fluids or fumes may be present.

## TECHNICAL DATA

Type of Current: ~ A.C. single phase

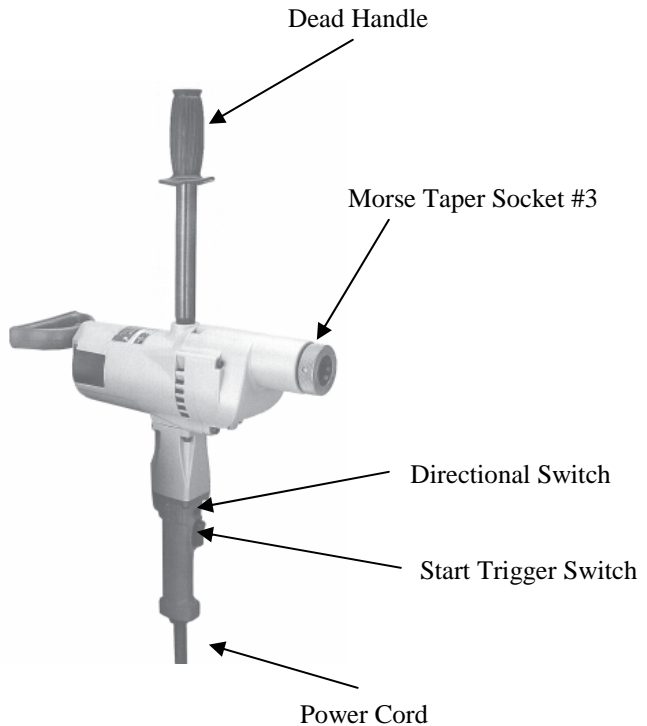
3- Prong plug. Approved by the applicable standards of Underwriters Laboratories, Inc.

## OPERATION

Main voltage must correspond to the operating voltage marked on the rating plate. The tool can be plugged into plain or safety sockets.

Switch must be in the "OFF" position when connecting.

The change-over switch for right- and left-hand rotation, which is built in the handle switch, must not be operated, when the machine is running.



## MAINTENANCE

### **Before carrying out any maintenance work always remember to pull out the plug.**

Keep your tool in good repair by adopting a regular maintenance program. Before use, examine the general condition of your tool. Inspect guards, switches, tool cord set and extension cord for damage. Check for loose screws, misalignment, binding of moving parts, improper mounting, broken parts and any other condition that may affect its safe operation. If abnormal noise or vibration occurs, turn the tool off immediately and have the problem corrected before further use. Do not use a damaged tool. Tag damaged tools "Do Not Use" until repaired.

Under normal conditions, re-lubrication is not necessary until the motor brushes need to be replaced. After six months to one year, depending on use, the following should be completed:

- Lubrication
- Brush inspection and replacement
- Mechanical inspection and cleaning (gears, spindles, bearings, housing, etc)
- Electrical inspection (switch, cord, armature, etc)
- Testing to assure proper mechanical and electrical operation

### **CLEANING:**

Clean dust and debris from vents. Keep the tool handles clean, dry and free of oil or grease. Use only mild soap and a damp cloth to clean your tool since certain cleaning agents and solvents are harmful to plastics and other insulated parts. Some of these include: gasoline, turpentine, lacquer thinner, paint thinner, chlorinated cleaning solvents, ammonia and household detergents containing ammonia. Never use flammable or combustible solvents around tools.

# PARTS LIST

NO.	PART NO.	DESCRIPTION	QTY.	NO.	PART NO.	DESCRIPTION	QTY.
1	41238-0101	Cord Set	1	38	41238-0138	Intermediate Gear	1
2	41238-0102	Cord Protector	1	39	41238-0139	Woodruff Key	1
3	41238-0103	Cord Clamp	1	40	41238-0140	Intermediate Pinion Shaft	1
4	41238-0104	8-16 x 5/8" T-20 Screw	2	41	41238-0141	Ball Bearing	1
5	41238-0105	Switch	1	42	41238-0142	Ball Bearing	1
6	41238-0106	8-16 x 1" T-20 Screw	3	43	41238-0143	Intermediate Gear	1
7	41238-0107	12-24 x 3/4" T-27 Screw	4	44	41238-0144	Intermediate Pinion Shaft	1
8	41238-0108	Right Handle Half	1	45	41238-0145	Woodruff Key	1
9	41238-0109	Left Handle Half	1	46	41238-0146	Ball Bearing	1
10	41238-0110	Insulating Tube	1	47	41238-0147	Gear Case	1
11	41238-0111	8-32 x 5/16 Screw	1	48	41238-0148	1/4-20 x 3-1/8" T-30 Screw	2
12	41238-0112	1/4-20 x 3/4 Screw	4	49	41238-0149	1/4-20 x 2-1/4" T-30 Screw	2
13	41238-0113	Handle Spacer	1	50	41238-0150	Thrust Bearing	1
14	41238-0114	1/2-13 Nut	1	51	41238-0151	Needle Bearing	1
15	41238-0115	Thrust Washer	1	52	41238-0152	Oil Seal	1
16	41238-0116	Spade Handle	1	53	41238-0153	Woodruff Key	1
17	41238-0117	Motor Housing	1	54	41238-0154	Spindle	1
18	41238-0118	8-32 x 1/2" T-20 Screw	2	55	41238-0155	No.3 Taper Socket	1
19	41238-0119	Brush Cover	2	56	41238-0156	Taper Socket Cap	1
20	41238-0120	Nameplate Rivet	2	59	41238-0159	1/2 x 13 x 1-3/8" Bolt	1
21	41238-0121	Service Nameplate	1	60	41238-0160	Fan	1
22	41238-0122	Pipe Handle	1	61	41238-0161	Pin	1
23	41238-0123	Handle Grip	1				
24	41238-0124	Brush Tube	2				
25	41238-0125	Carbon Brush Assembly	2				
26	41238-0126	8-32 x 5/16" T-20 Screw	2				
27	41238-0127	Insulated Housing	1				
28	41238-0128	120 V. Field	1				
29	41238-0129	10-24 x 2-1/8" T-25 Screw	2				
30	41238-0130	Ball Bearing	1				
31	41238-0131	Baffle	1				
32	41238-0132	120 V. Armature	1				
33	41238-0133	Ball Bearing	1				
34	41238-0134	Diaphragm Assembly	1				
35	41238-0135	Ball Bearing	1				
36	41238-0136	Spindle Gear	1				
37	41238-0137	Ball Bearing	1				

### Lubrication:

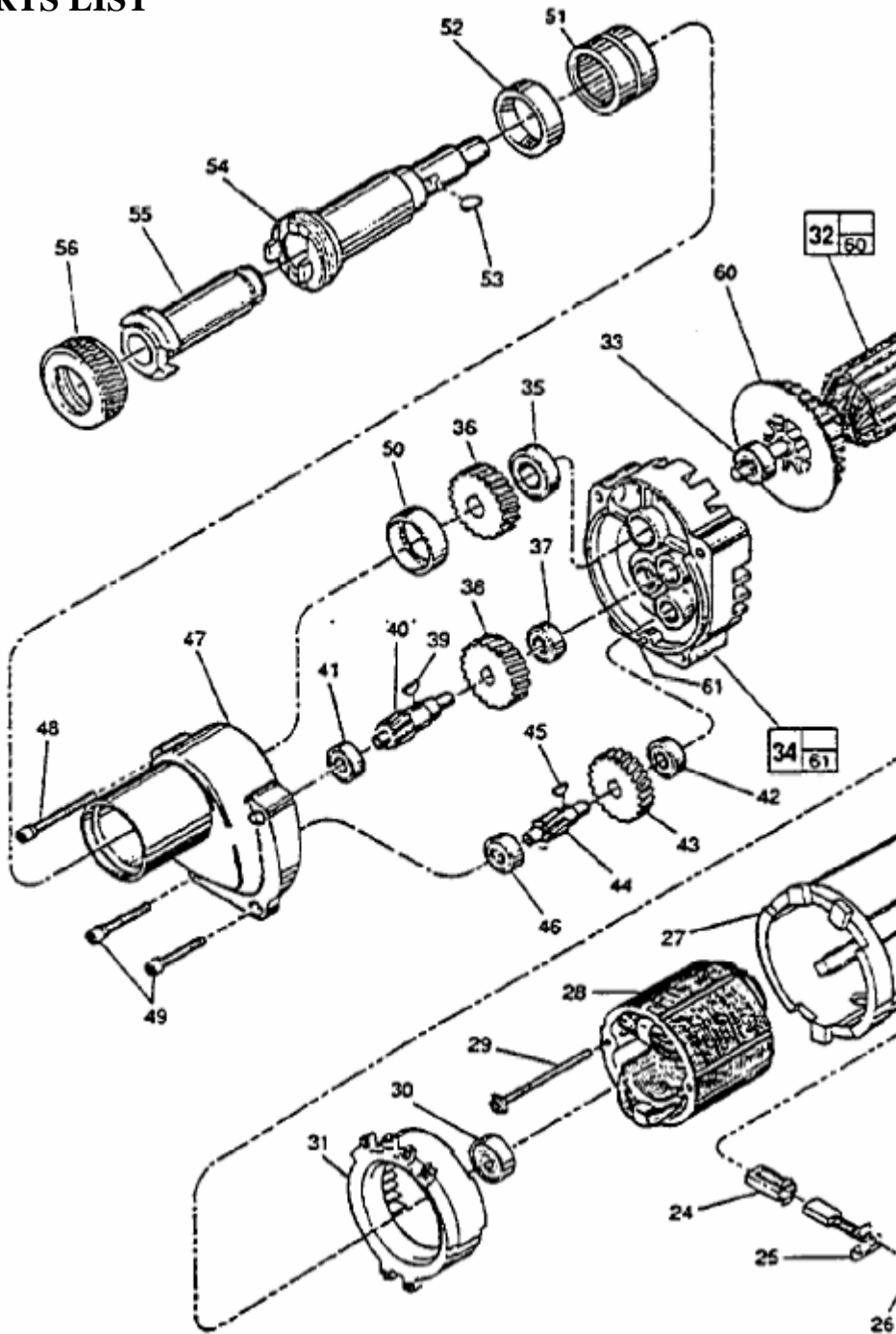
#47: 7-3/4 Oz. "E" Grease

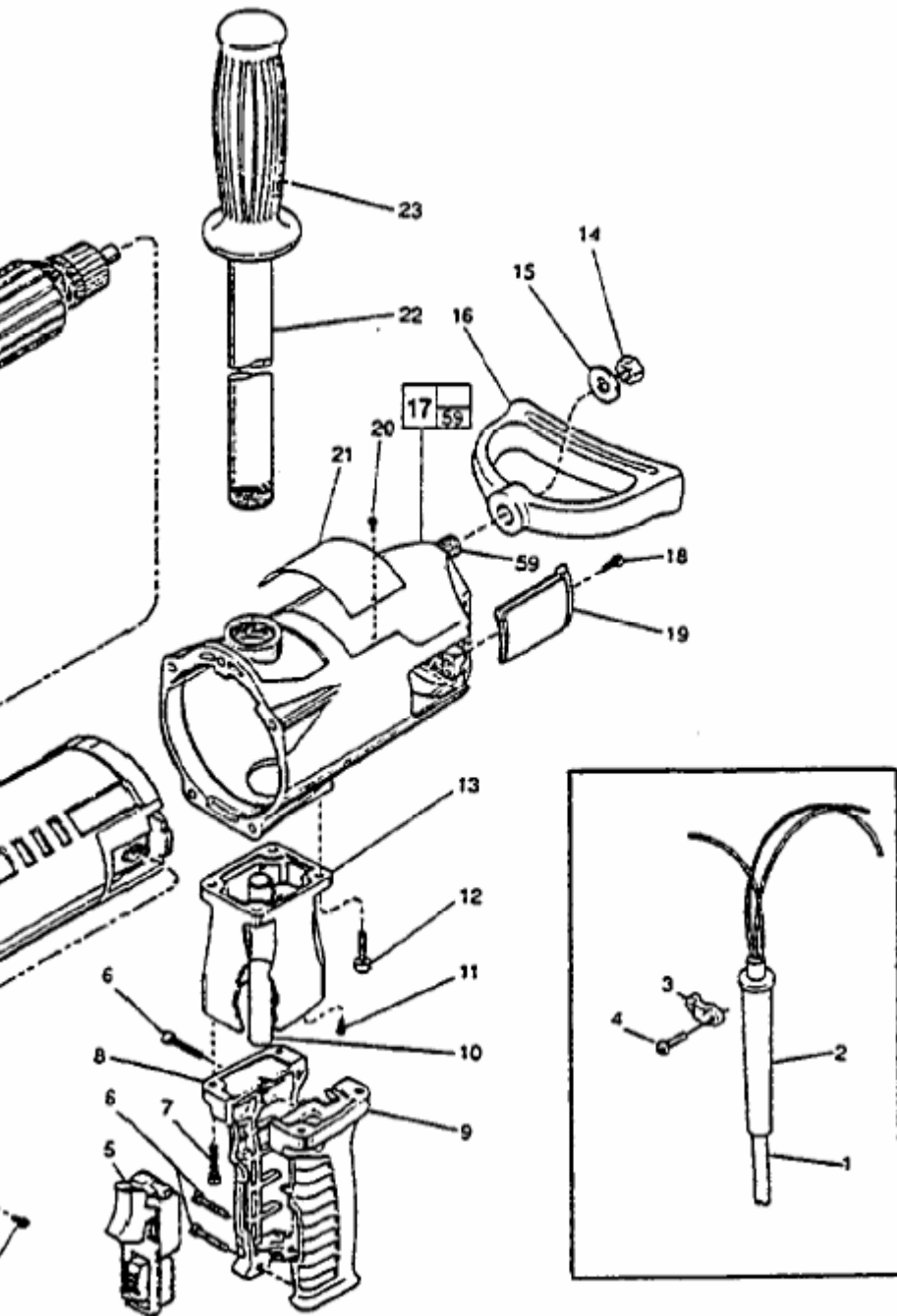
### Notes:

#12: Tighten one screw until lock washer is touching handle spacer. Tighten the diagonally opposite screw (70-80 lbs-in on new motor housing) and then sequentially tighten the other screws.

#48,49: Apply Type 242 Blue Loctite

## PARTS LIST





## SPECIFICATIONS

<b>ROLLER MODEL</b>	<b>41238-0000</b>
<b>TUBE OD SIZE</b>	1" - 2.5" (25.4mm - 63.5mm)
<b>VOLTAGE</b>	110
<b>FREQUENCY</b>	60
<b>AMPERAGE</b>	10
<b>FREE LOAD RPM</b>	250
<b>DRIVE SPINDLE</b>	# 3 Morse Taper
<b>WEIGHT</b>	19 LBS (8.6kgs)
<b>LENGTH (OAL)</b>	18.5" (470mm)

## ACCESSORIES

<b>1/2" SQUARE SOCKET x 3 M.T.</b>	41237-0000
<b>3/4" SQUARE SOCKET x 3 M.T.</b>	20211-0000
<b>1" SQUARE SOCKET x 3 M.T.</b>	20497-0000
<b>ON/OFF, FORWARD/REVERSE SWITCH</b>	41238-0105
<b>SET OF MOTOR BRUSHES (must order 2 sets)</b>	41238-0125

### **Thomas C. Wilson, Inc.**

21-11 44th Avenue, Long Island City, New York 11101  
 Tel: (718)729-3360 Fax: (718)361-2872 <http://www.tcwilson.com>  
 E-mail: [tcwilson@tcwilson.com](mailto:tcwilson@tcwilson.com)