



MODEL PGX-2

AIR DRIVEN TUBE CLEANER



OPERATING INSTRUCTIONS & SERVICE MANUAL

Rev: A, 5/11/2007

**TO REDUCE THE RISK OF INJURY AND EQUIPMENT DAMAGE
USER MUST READ AND UNDERSTAND OPERATOR'S MANUAL.**

Thomas C. Wilson, Inc.

21-11 44th Avenue, Long Island City, New York 11101
Tel: (718)729-3360 Fax: (718)361-2872 <http://www.tcwilson.com>
E-mail: tcwilson@tcwilson.com

SAFETY INSTRUCTIONS



WARNING!

READ AND UNDERSTAND ALL INSTRUCTIONS

Failure to follow all instructions listed below, may result in accident, fire and/or personal injury.

SAVE THESE INSTRUCTIONS

1. Do not allow corrosive gases or foreign material to enter the unit. Moisture, oil-based contaminants, or other liquids must be filtered out.
2. Eye protection is always required when running motor.
3. Hearing protection is recommended when in close proximity to all operating air motors.
4. Dust mask, non-skid safety shoes, hard hat, gloves and other personal safety equipment must be used.
5. Stay alert, watch what you are doing, and use common sense when operating a power tool.
6. Dress properly. Do not wear loose clothing or jewelry.
7. Keep your work area clean and well lit.
8. Do not operate power tools in explosive atmospheres, such as in the presence of flammable liquids, gases, or dust.
9. Disconnect the tool from the air supply before installing, making any adjustment, changing accessories, servicing or storing tool.

OPERATION

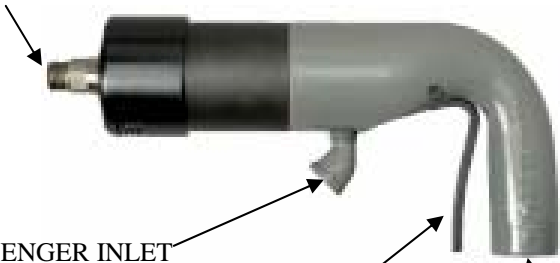
RECOMMENDED OPERATING AIR PRESSURE 90 PSI

SPINDLE
3/4X10 THREAD

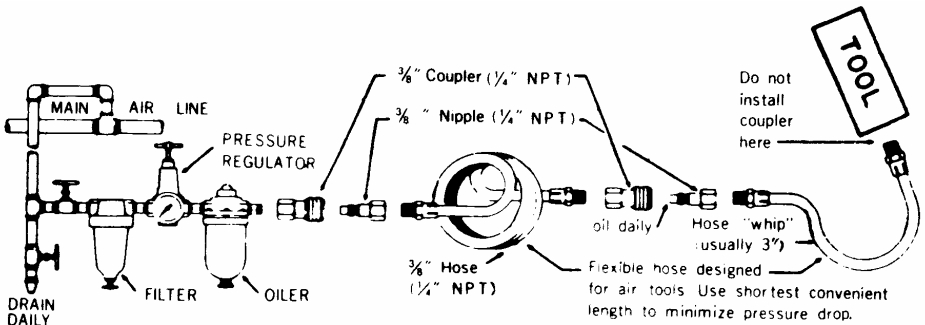
SCAVENGER INLET
3/8 NPT

THROTTLE
VALVE
TRIGGER

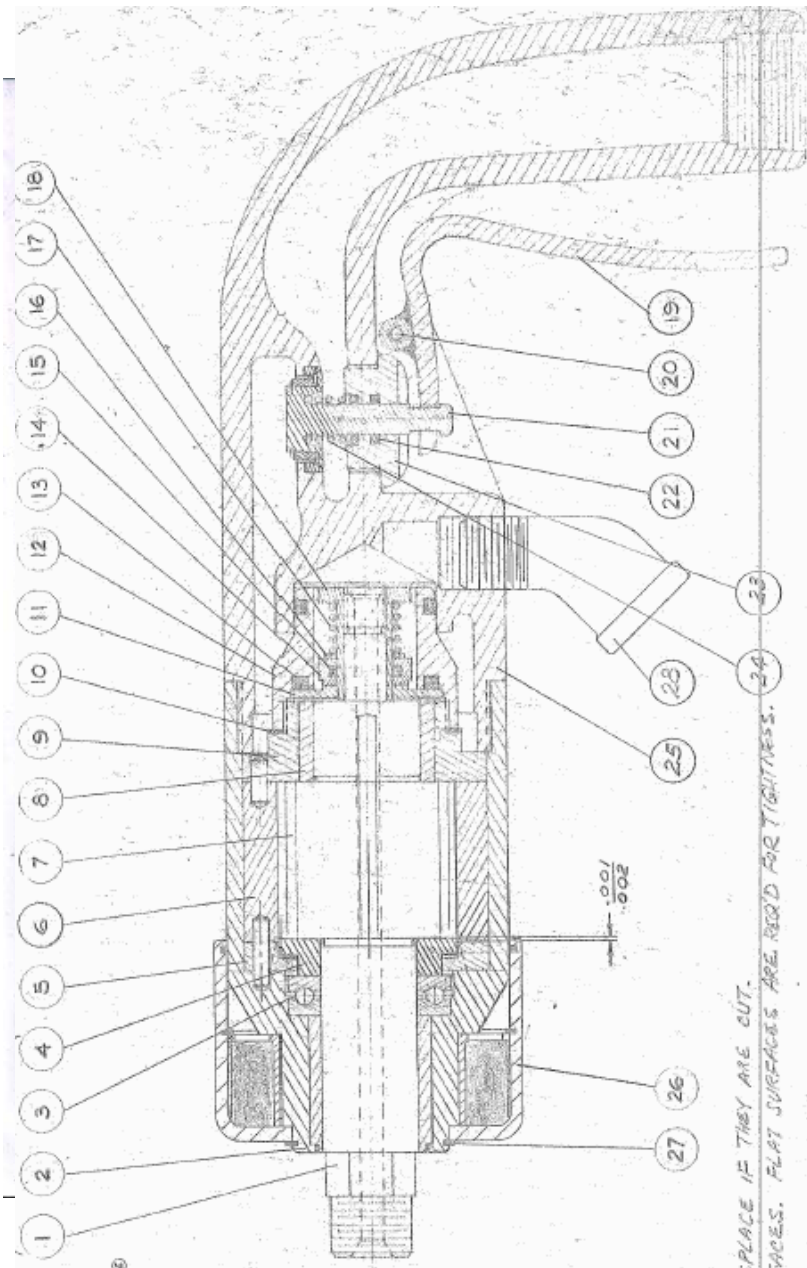
AIR INLET
1/2 NPT



PROPER PIPING FOR AIR TOOLS



PARTS LIST



Key	Part No.	Qty.	Description
1	8739	1	ROTOR
2	9356	1	BODY SUB-ASSEMBLY
	9289	1	FRONT BUSHING (PT. OF ABOVE)
3	9293	1	THRUST BEARING
4	9290	1	THRUST BUSHING
5	9292	1	WEAR PLATE
6	9357	1	CYLINDER
	6633	1	DOWEL PIN (PT. OF CYLINDER)
	6628	1	DOWEL PIN (PT. OF CYLINDER)
7	4105	6	BLADE (SET OF SIX)
8	4104	1	REAR BUSHING (PT. OF 5846)
9	4103	1	REAR JOURNAL (PT. OF 5846)
10	7942	1	GASKET
11	7943	1	SEAT SEAL
12	7945	1	SEAL CAP
13	7944	2	'O' RING
14	8523	1	SCAVENGER SEAL ASSEMBLY
15	8525	1	'O' RING
16	6999	1	SEAL WASHER
17	7014	1	SPRING
18	8738	1	SEAL STEM
19	7947	1	TRIGGER
20	7946	1	TRIGGER SCREW
21	8527	1	VALEV ASSEMBLY
22	7830	1	'O' RING
23	7941	1	VALVE BUSHING
24	7939	1	VALVE SPRING
25	7932	1	HANDLE SUB-ASSEMBLY
26	9295	1	MUFFLER ASSEMBLY
27	9301	1	SPIROLOX RING
28	41467	1	STREET ELBOW

Caution: Disassembly or reassembly of the unit must be performed by qualified personnel. It is advisable to return units to the factory or consult the factory for necessary repair.

HOW TO SET UP THE TUBE CLEANER

- 1 - Use an air line lubricator to operate tool with a fine mist of oil.
- 2 - Connect 1/2" air hose to lubricator and blow out hose.
- 3 - Connect 1/2" air hose to pistol grip tube cleaner handle, Turn on air and run motor. At this point turn off the air in line to prevent accidental starting of tool.
- 4 - Connect 3/8" scavenging hose to source and flush out line to prevent any foreign matter from entering the sealing area and damaging the seal.
- 5 - Now connect the hose to scavenging inlet in the motor body. The motor is now ready to be coupled to the shaft support and drill shaft.
- 6 - Select the proper size shaft and assemble with the shaft support, the shaft end having the tapered male thread fits into the shaft support having a tapered female thread.
- 7 - Attach the adapter for the cutter bit or brush.
- 8 - Attach the cutter bit or brush to adapter.
- 9 - Attach this assembly to the rotor. The assembled unit is now ready for operation.

HOW TO OPERATE THE TUBE CLEANER

- 1 - Insert the cutter bit with scavenging agent turned on into the tube end depress trigger.
- 2 - Feed the cutter bit into the deposit by pushing forward on the handle. The rate at which the cutter bit is fed through the tube can best be determined by the operator's judgment, based on his experience with the first few tubes. If the deposit is light or very soft, it may be possible to clean the tube with a constant forward motion. If the tube is plugged with a deposit that is not too hard, but is readily broken down by the cutter bit, it is preferable to withdraw the cutter bit a few inches occasionally to give the scavenging agent which flows down through the center of the shaft a chance to clear the cutter and remove the debris which may accumulate in the tube behind the cutter bit. With very hard deposits, more rapid cleaning can be obtained by a constant back and forth motion which jars the cutter bit up against the deposits to be removed.
- 3 - Care should be exercised when handling the smaller sizes of shafting. The smaller shafting can not be subjected to as much force as the larger diameter shafting.

MAINTENANCE AND LUBRICATION

AIR SUPPLY

Optimum air tool performance is based upon a clean, dry air supply that delivers 90 psi of air pressure at the tool, while the tool is running. (Lower air pressure will reduce the efficiency of the tool.) Airline filters will effectively eliminate moisture and particles from the air supply. To get the ultimate in performance from your air tools ample air compressor capacity, proper air hose and fittings are essential.

LUBRICATION

Proper lubrication is the most important requirement in preventive maintenance. The majority of tool failure can be linked to inadequate lubrication. Tools should be oiled daily through the air inlet, or better through lubricators. Airline lubricators automatically provide oil to tools, allowing them to produce at peak efficiency. Use a light oil similar to a #10 spindle oil, or Marvel Oil for best result.

PERIODIC INSPECTION

For maximum performance and protection of your air operated equipment, inspect all tools regularly to prevent unnecessary damage and prevent down time. All airline accessories should be checked on a regular basis.

STORAGE OF EQUIPMENT:

- 1 - Upon securing the equipment for the night, blow air through the scavenging hole to dry out any remaining moisture. Then squirt some oil into the scavenging hole, and revolve the rotor by hand permitting the oil to reach the seal and shaft.
- 2 - Before storing the PG Cleaner, clean and oil it thoroughly with machine oil to prevent rusting.

TROUBLE-SHOOTING

PROBLEM	CAUSE & SOLUTION
Tool becomes sluggish	Dirt or oil gum accumulation on internal parts —Flush with kerosene, operate for 30 seconds and re-lubricate.
Loss of Power	<ol style="list-style-type: none"> 1. Worn Blades —Replace the Blades. 2. Worn Rotor, Cylinder, or accessory —Replace worn parts.

SPECIFICATIONS

Model no.	PGX-2
Tube ID Range	1/2" to 1-1/8"
RPM	9000
Spindle	3/4 X 10 THREAD
Dimensions	3" DIA. X 6" X 11"
Weight (LBS)	7
Air Pressure (PSI)	90
Air Inlet	3/4" NPT
Operating Hose	3/4"
Air Flow	65 CFM
Scavenger Inlet	3/8" NPT

Thomas C. Wilson, Inc.

21-11 44th Avenue, Long Island City, New York 11101
 Tel: (718)729-3360 Fax: (718)361-2872 <http://www.tcwilson.com>
 E-mail: tcwilson@tcwilson.com