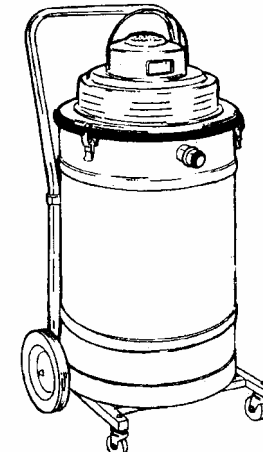




**9487-0000
9487-5220**

**POWER-SOOT VAC
WET/DRY VACUUM CLEANER**

MODEL	9487-0000	9487-5220
VOLTAGE	115	220
FREQUENCY	60	50
HORSEPOWER	2	2
AMPS.	13	6.5
STATIC WATER LIFT (INCHES)	110	110
AIR DISPLACEMENT (CFM)	114	114



**OPERATING INSTRUCTIONS
&
SERVICE MANUAL**

Rev: A, 2/22/2007

**TO REDUCE THE RISK OF INJURY AND EQUIPMENT DAMAGE
USER MUST READ AND UNDERSTAND OPERATOR'S MANUAL.**

Thomas C. Wilson, Inc.

21-11 44th Avenue, Long Island City, New York 11101
Tel: (718)729-3360 Fax: (718)361-2872 <http://www.tcwilson.com>
E-mail: tcwilson@tcwilson.com

Thomas C. Wilson, Inc.

21-11 44th Avenue, Long Island City, New York 11101
Tel: (718)729-3360 Fax: (718)361-2872 <http://www.tcwilson.com>
E-mail: tcwilson@tcwilson.com

SAFETY INSTRUCTIONS

WARNING To reduce the risk of fire, electric shock or injury:

1. Do not leave appliance plugged in. Unplug from outlet when not in use and before servicing.
2. Do not expose to rain. Store indoors.
3. Do not allow to be used as a toy. Close attention is necessary when used by or near children.
4. Use only as described in this manual. Use only manufacturer’s recommended attachments.
5. Do not use with damaged cord or plug. If appliance is not work-ing as it should, has been dropped, damaged, left outdoors, or dropped into water, contact Customer Service.
6. Do not pull or carry by cord, use cord as a handle, close a door on cord, or pull cord around sharp edges or corners. Do not run appliance over cord. Keep cord away from heated surfaces.
7. Do not unplug by pulling on cord. To unplug, grasp the plug, not the cord.
8. Do not handle plug or appliance with wet hands.
9. Do not put any object into openings. Do not use with any opening blocked; keep free of dust, lint, hair and anything that may reduce air flow.
- 10.Keep hair, loose clothing, fingers and all parts of the body away from openings and moving parts.
- 11.Do not pick up anything that is burning or smoking, such as cigarettes, matches, or hot ashes.
- 12.Do not use without dust bag and/or filters in place.
- 13.Turn off all controls before unplugging.
- 14.Use extra care when cleaning on stairs.
- 15.Do not use to pick up flammable or combustible liquids such as gasoline, or use in areas where they may be present.
- 16.This vacuum is for commercial use only.
- 17.Connect to a properly grounded outlet only. See grounding instructions.

GROUNDING INSTRUCTIONS

This appliance must be grounded. If it should malfunction or breakdown, grounding provides a path of least resistance for elec-tric current to reduce the risk of electric shock. This appliance is equipped with a cord having equipment grounding conductor and grounding plug. The plug must be inserted into an appropriate out-let that is properly installed and grounded in accordance with all local codes and ordinances.

WARNING: Improper connection of the equipment grounding conductor can result in a risk of electric shock. Check with a qualified electrician or service person if you are in doubt as to weather the outlet is properly grounded. Do not modify the plug provided with the appliance — if it will not fit the outlet, have a proper outlet installed by a qualified electrician.

TROUBLE-SHOOTING

Symptoms	Possible Causes & Corrective Actions
Loss of Suction	<ol style="list-style-type: none"> 1. Obstruction in hose or wand Attached hose to exhaust air orifice - 2. Clogged air filter assembly never-clog bag or wash if necessary. -Tap 3. Uneven gasket fit - 4. Dented collection can rim Reposition or replace gasket. -Replace can
Motor Won't run	<ol style="list-style-type: none"> 1. Blown fuse or tripped circuit Replace fuse or reset circuit. - 2. Defective switch Replace switch. - 3. Defective power cord Replace power cord. -Replace power cord.

ACCESSORIES & TOOLS



General Purpose Tool Kit #9487-1000 consists of:

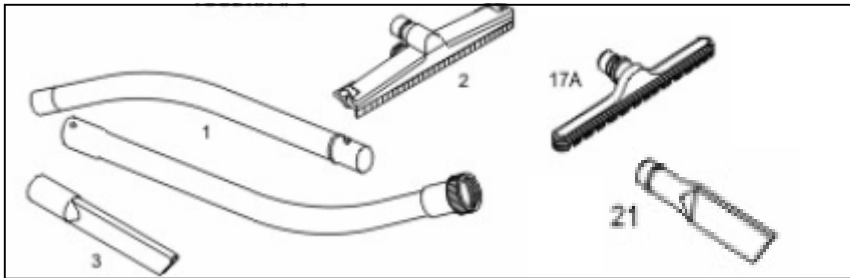
9487-3400	Metal Crevice Tool 11"
9498-0000	Wand 2-pc 5-ft
9487-3000	Handi-scraper Tool 5"
9488-3200	Blower Nozzle



Water Pick-up Adapter #9487-0012



Double-Blade Rubber Squeegee Tool
9715-0800



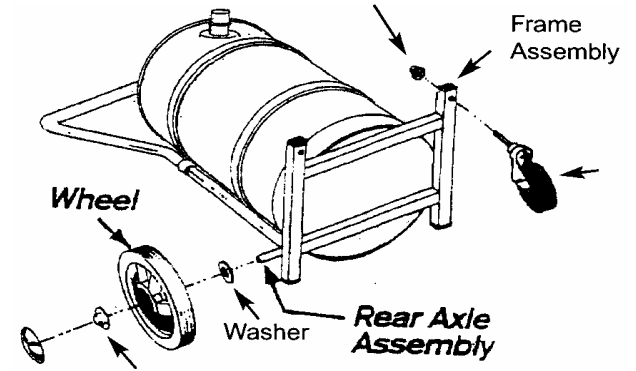
Liquid Pick-Up Tool Kit #9715-0300 consists of:

9715-0700	Wand 2-pc 5-ft
9715-0800	Rubber Squeegee Floor Tool
9715-0900	Plastic Floor Tool 14"
9715-1000	Plastic Crevice Tool 11"
9715-1100	Metal Crevice Tool 11"

ASSEMBLY

The Vacmobile style vacuum cleaner includes as standard equipment:

- 2 Rear Wheels
- 2 Hub Caps
- 2 Casters
- 2 Washers
- 1 10' hose
- 1 Air Filter Assembly
- 4 Shaft Caps



To Assemble:

Remove and carefully set aside motor head and filter assembly. Tilt vacuum back to full rest on can handle.

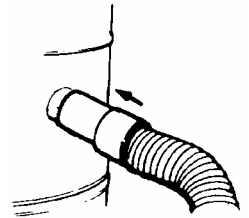
Insert and push casters into caster mount assemblies. Position rear wheels on the rear axle assembly and lock with the hub nuts, using a rubber hammer.

Replace motor head with filter for either wet or dry application and clamp in place.

To Connect Hose:

Simply push the end of hose onto the intake connector. Wands and/or tools are then fitted to the opposite end of the hose.

To remove the hose, use a twist and pull action.²



To Operate:

The vacuum cleaner is designed to perform as a wet/dry unit.

Dry

With the Air Filter Assembly in place, the motor head securely clamped, plug the power cable into the proper out-let. Select the appropriate hose, wand, and/or tool and connect to the intake connector. The vacuum cleaner is ready for dry use.

Wet

Convert this vacuum cleaner from dry to wet pick-up by substituting the Water Pick-up Adapter for the Air Filter Assembly. the purpose is to provide protection for the vacuum cleaner bypass motor. When the maximum water level in the vacuum cleaner collection can is reached, the safety valve (float) closes off suction, auto-matically preventing further liquid intake.

NOTE: This will cause the motor to race. Turn off motor, remove and empty collection can. Thoroughly clean float assembly. Replace Water Pick-up Adapter and motor head, then clamp securely. The vacuum cleaner is ready for wet use.

WARNING:

This vacuum is intended for indoor or outdoor use and for wet pick-up, but is not intended to be exposed to rain.

CARE & MAINTENANCE

SM-248

Air Filter Assembly

The Air Filter Assembly with Never-Clog(R) Bag is the standard filter unit shipped with this vacuum cleaner. This filter consists of a moleskin bag and metal frame, rubber gasket and dacron Never-Clog(R) Bag. This dacron filtration fabric is designed to trap the minute dirt and dust particles, minimizing the need for frequent replacement of the moleskin filter. After each use, just tap the Never-Clog(R) filter and the dust buildup falls into the collection can.

The Never-Clog(R) filter is also washable. Carefully remove the rubber gasket from the metal frame and strip the filter bag. To replace, stretch the Never-Clog(R) filter evenly around the rim of the metal frame, and then secure with the rubber gasket.

NOTE: Gasket must be seated evenly on the rim of the filter frame to insure proper vacuum seal. No lubrication is required. Service of electrical parts must be performed by an authorized service representative.

Water Pick-Up Adapter

Large quantity water pick-up **REQUIRES** the Water Pick-up Adapter. The Water Pick-up Adapter is equipped with a safety shut-off known as the float assembly. **IMPORTANT:** Remove packing material from a new unit before using and clean periodically to assure proper action.

Motor Head

When removing the motor head, care in handling is essential. Dropping, banging or other abuse may result in a poor vacuum seal and a loss in suction power.

NOTE: When changing from wet to dry vacuuming, always rinse the collection can with clean water. Dry the tank and replace the Water Pick-up Adapter with the Air Filter Assembly.

Storage:

Store in a dry location indoors. Wrap the cord carefully around the vacuum head to avoid accidental damage.

WARNING:

Be sure the building voltage is the same as the voltage on the motor head nameplate and that a proper ground exists.

ACCESSORIES & TOOLS

SM-248



Moleskin Filter Bag
9487-2000



Dacron Filter Bag
#9487-4000



Disposable Paper Bag
#9490

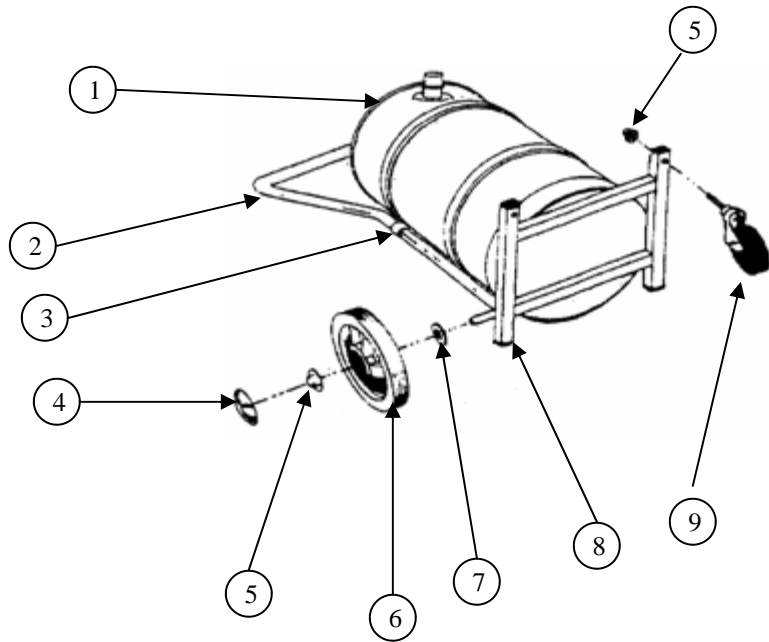


Vacuum Hose 10-ft
9488-0010

PARTS LIST (CONT')

SM-248

ITEM	PART NO.	DESCRIPTION	QTY
1	9487-9000	12 Gallon Steel Tank	1
1A	9487-9900	12 Gallon Stainless Steel Tank	1
2	9487-9600	Handle	1
3	9487-0067	Bracket	1
4	9487-9310	Wheel Cap	2
5	9487-9300	Hub Cap	1
6	9487-9100	8" Wheel	6
7	9487-0556	Washer	2
8	9487-0787	Frame Assembly	2
9	9487-9200	Caster	3

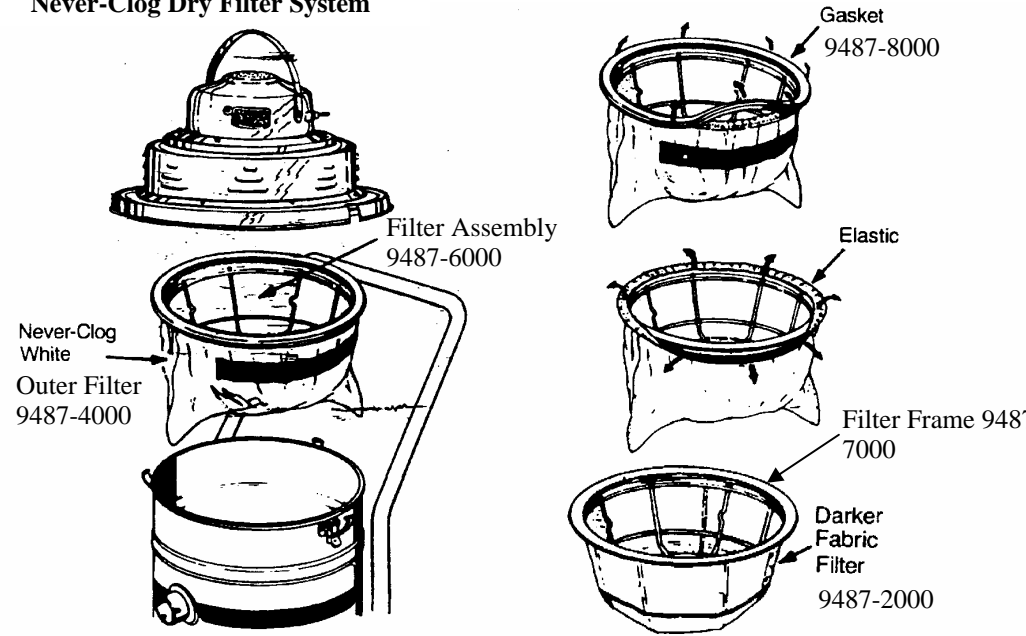


WET/DRY CARTRIDGE FILTER ASSEMBLY

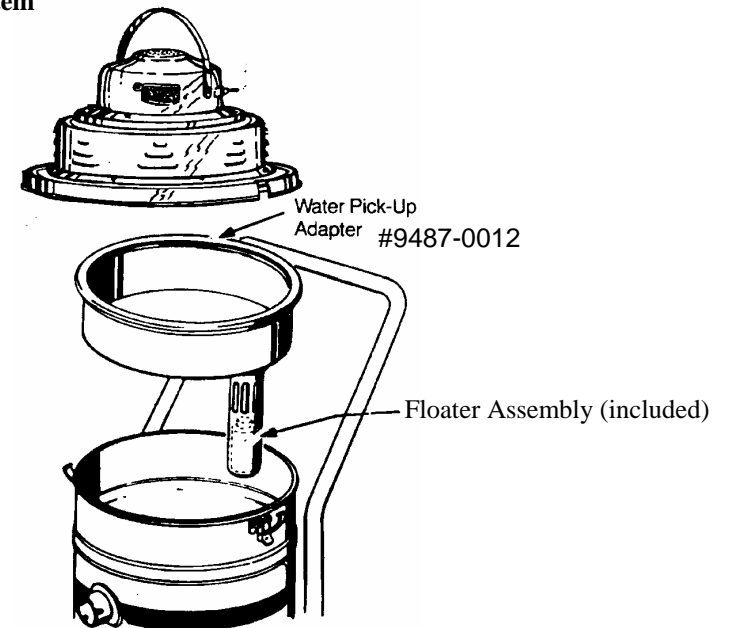
SM-248

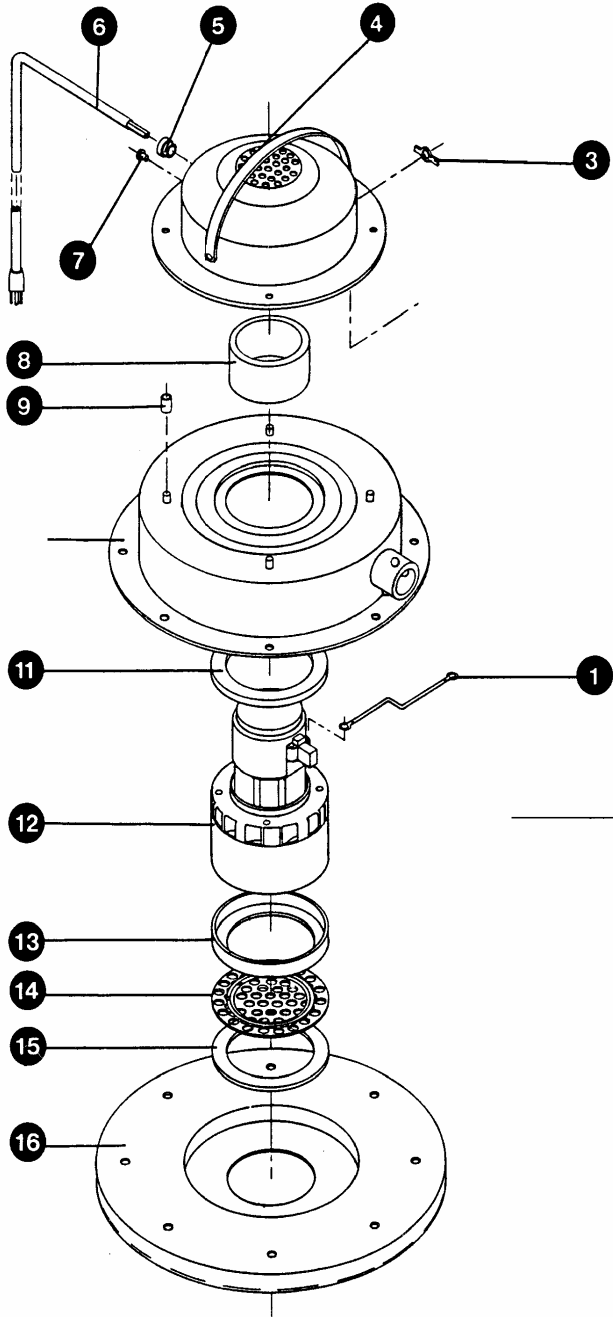
Caution: This filter *MUST* be in place at all times during vacuuming operations, both dry and wet.

Never-Clog Dry Filter System



Wet Filter System





Motorhead Assembly

#9487-0110 For 115 volt, 60 Hz

#9487-5221 For 220 volt, 50 Hz

<u>Item</u>	<u>Part no.</u>	<u>Description</u>	<u>Qty</u>
1	9487-9801	Wire Assembly	1
2	9487-9802	Switch	1
3	9487-9803	Switch Plate	1
4	9487-9804	Dome Assembly	1
5	9487-9805	Strain Relief	1
6	9487-9806	Cord Set	1
7	9487-9807	Ground Screw	1
8	9487-9808	Gasket	1
9	9487-9809	Spacer	1
10	9487-9810	Blower Chamber Ass'y	4
11	9487-9811	Gasket	1
12	9487-9812	Motor Assembly	1
13	9487-9813	Gasket	1
14	9487-9814	Screen Fan Guard	1
15	9487-9815	Gasket	1
16	9487-9816	Can Cap	11